

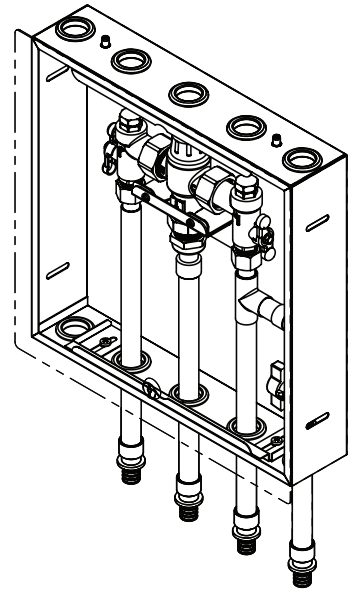
# Aquablend 1500 Stainless Steel Box with Cold Water By-Pass (4 Hole)

Aquablend 1500 TMV with additional cold water isolation and bypass with stainless steel cabinet with removable lockable wall panel and Rehau tails.

## ATMS719

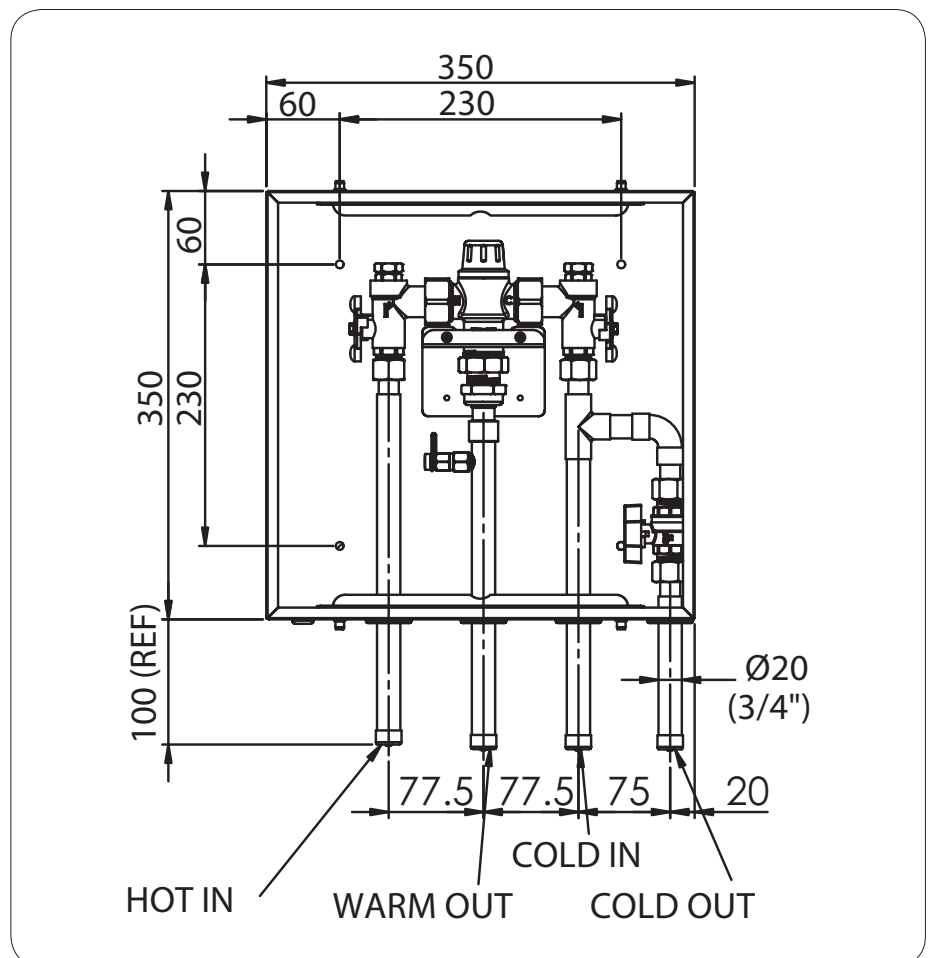
### FEATURES

- Aquablend 1500 Standards Lic. To AS4032.1 and NSW Health Approved.
- 20mm Rehau connection tails- Hot/Cold/Mixed/Cold bypass
- Full stainless steel lockable cabinet
- Adjustable depth removable lid to cater for varying wall depths
- Factory tested



### Product Codes

ATMS719RRE	Recessed
ATMS719HRE	Recessed with hinged door



Version: Feb 18

Call 1300 369 273  
[www.enware.com.au](http://www.enware.com.au)

Enware Australia Pty Limited  
9 Endeavour Rd Caringbah NSW 2229 Australia  
Ph: 02 8536 4000 Fax: 02 8556 4055

